

Fitting instruction – WAS-570

Audi TTRS /TTS /TT /RS3 /S3, VW Golf MK7
2014 • Present

Front Tubular Subframe



Suppresses:

- 5Q0199313N
- 5Q0199315P
- 5Q0199315R
- 5Q0199369G
- 5Q0199369E

List of Contents

1. For scope of delivery	1
2. Fitting instructions	1
3. Safety notes	2
4. Conditions	2
5. Work tips	2
6. Installing tubular subframe	2

1. For scope of delivery

Designation	Part number	Number of items
Front tubular subframe	1	1
Wishbone spacer	2	2
Dog Bone adapter	3	1
Hex. Flange Bolt M14x1,5x70	11	1
Hex. Flange Bolt M12x1,5x100	8	2
Hex. Bolt M8x40x(22)	7	1
Socket Bolt M8x16	6	2
Hex. Flange Nut M12x1,5	10	2
Hex. Nut M8	9	2

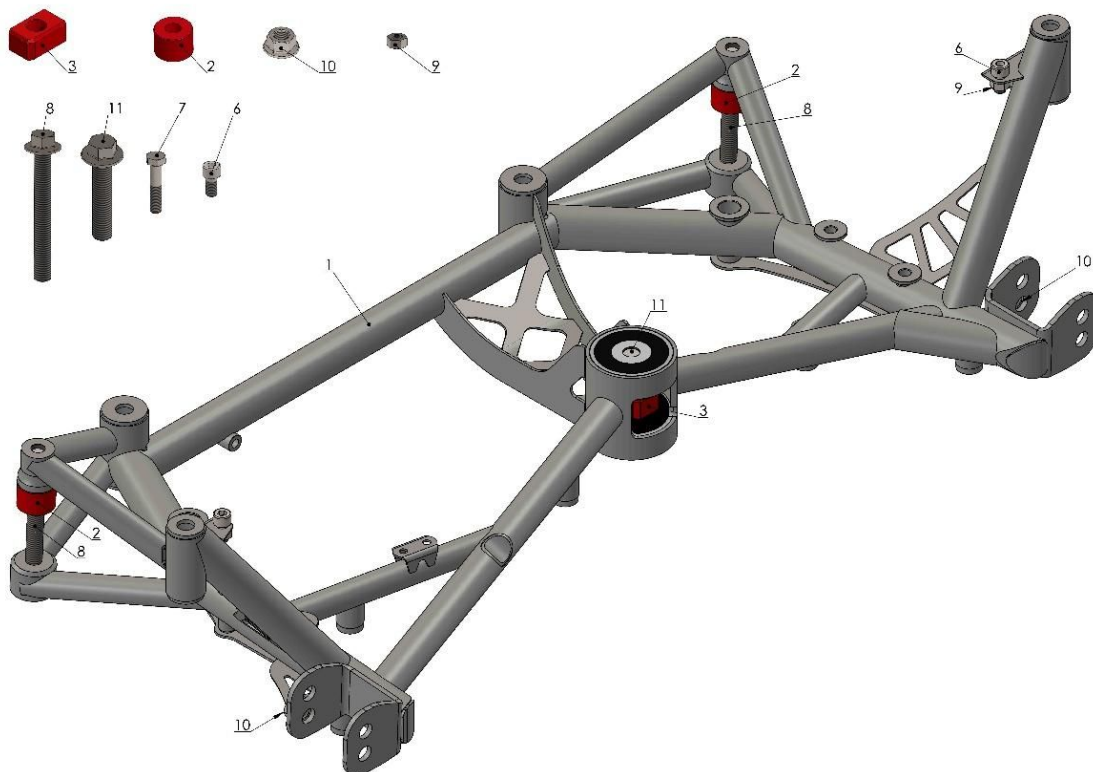


Figure 1 For scope of delivery.

2. Fitting instructions

- All work steps must be performed in accordance with the listed safety notes and instructions.
- For all bolts and nuts use specified tightening torque as said in your car manual.
- Provided nuts are disposable (distorted thread locknut). One time use.

3. Safety notes

CAUTION

Risk of accident due to high weight of elements.

CAUTION

Risk of injury from dirt particles. Risk of eye injuries.

- Always wear safety goggles.

4. Conditions

- Ignition switched off.
- Second mechanic available.

5. Work tips

- Parts of the following description only indicate the procedure on one side of the vehicle. In this case proceed in basically the same way on the opposite side of the vehicle.
- If bolts and nuts are difficult to loosen, spray them with rust remover.

6. Installing tubular subframe

- After removing OEM subframe, reattach parts in a correct order. Firstly install Dog Bone with provided Dog Bone adapter. To do so, insert Dog Bone arm between engine bushings, then slide Dog Bone adapter from the other side of mount (Use bolt M8x40 to aim in the middle). Finally, screw Hex. Flange Bolt M14x1,5x70 but do not tighten it. Remove bolt M8x40 (*Number 1 - Figure 2*).
- Install sway bar and steering rack using OEM bolts. Make sure to proper lay out wiring harnesses.
- Install wishbones in mounting points, first install front part of wishbone inside subframe (use provided Hex. Flange Nut M12x1,5), then match rear part. To obtain OEM suspension geometry **install front part of wishbone on the lower mounting hole**. Upper mounting hole can ONLY be used with our tubular lowered wishbones (SKU: WAS-017 or WAS-020). Insert wishbone spacer (*Number 2 - Figure 1*) above rear part of wishbone and secure it with provided Hex. Flange bolt M12x1,5x100 but do not tighten it.

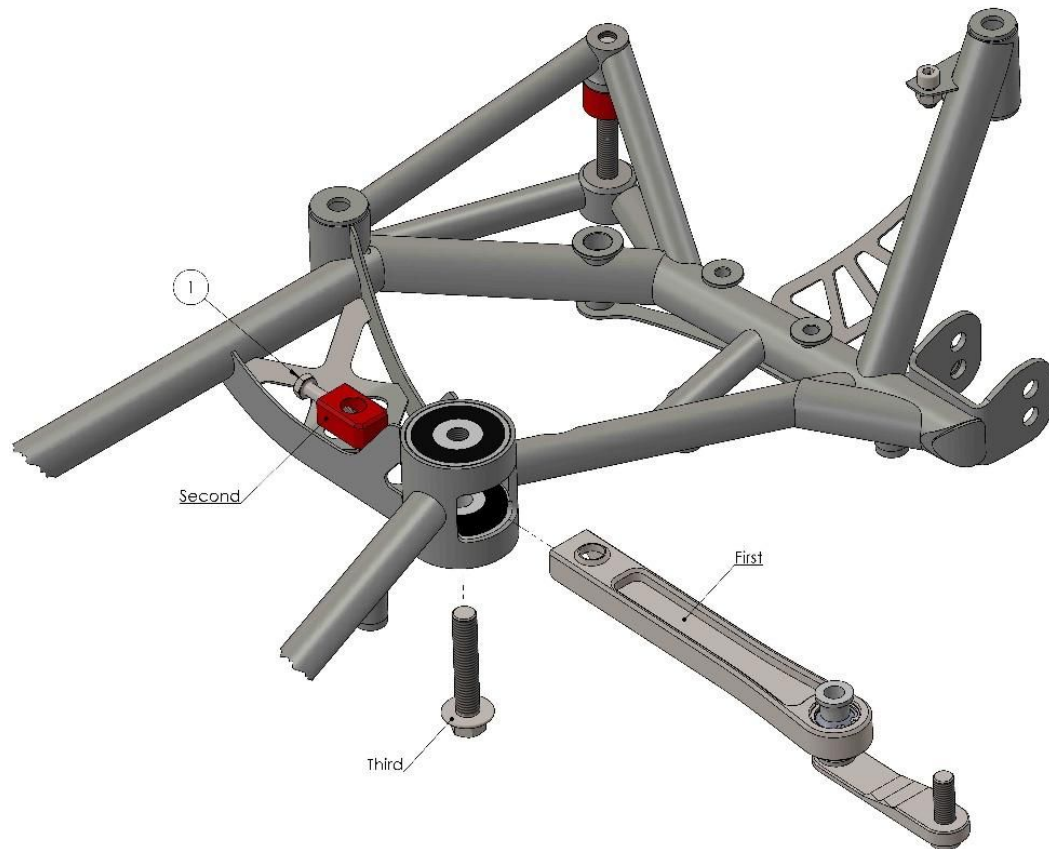


Figure 2 First part of assembling tubular subframe.

- Install tubular subframe under the body (*scissors jack required*). Mount front transmission support (*not shown in the pictures*). Then, tighten mounting bolts, Dog Bone and wishbone bolts. Use appropriate tightening torque as said in car manual.
- Install xenon range sensor each on one side.
- Install bottom engine cover with OEM bolts.